

FWR7302E2

4G-LTE Dual Band Gigabit VoIP Router

FWR7302E2 is a highly integrated wireless routing device that is integrated with routing and VoIP functions, allowing users to enjoy the pleasure of wireless network anywhere and anytime.

FWR7302E2 supports 5 x 10/100/1000Mbps network ports and NAT routing function. As a portable VoIP router, it can be used as an internal desktop router. Users can enjoy convenient data connection and HD voice.



Key Features and Benefits



Multi-Function

FWR7302E2 support SIP call, IP sharing and QoS mechanism, while supporting USB3.0 connection, realize file and data sharing.



Dual Band Wi-Fi

FWR7302E2 supports the IEEE802.11ac standard, wireless connect rate up to 1200Mbps, supports 2.4GHz and 5GHz. For VoIP end users, the 5G frequency band not only has less interference, but also guarantees transmission quality and provides users with greater Bandwidth enhances data throughput.



Gigabit Ethernet Ports

5*10/100/1000Mbps ports provide reliable and high-speed network, transmitting and receiving data smoothly.



4G-LTE

With two built-in SIM card slot, you can insert a SIM card and turn the router on, enjoying fast, stable Wi-Fi on a 4G LTE network wherever you go.



Broad Compatibility

FWR7302E2 is based on SIP V2.0 and compatible with most service providers, which brings great convenience when deploying VoIP network.



TR069, SNMP, Provision

Equipped with advanced management protocols such as SNMP and TR069, which is easy to achieve unified deployment and is easy to achieve unified deployment and centralized management.

Power

- >AC/DC adapter
- >AC Input: 100~240V, 50~60Hz
- >DC Output: 12V, 2A

Operating System

- >Linux 2.6.36

I/O Interfaces

- >1 x RJ-45 for 10/100/1000Mbps WAN port
- >4 x RJ-45 for 10/100/1000Mbps LAN port
- >2 x RJ11 FXS port
- >1 x USB 3.0 port
- >2 x SIM slot
- >RST key
- >WPS key

Environmental

- >Operation temperature: 0~50°C
- >Storage temperature: -25~ 85°C
- >Relative humidity: 10%~90% Non-condensing

Audio Codec

- >G.711(A/u), PESQ>4
- >G.729, PESQ>3.6
- >T.30 FAX with G.711
- >Real time FAX over IP via T.38
- >Adaptive jitter buffer
- >Voice activity detection
- >Comfort noise generation
- >Echo cancellation

LTE Features

- >Dual card backup
- >LTE auto connection
- >VoLTE
- >Lock SIM card
- >Lock cell
- >APN configuration
- >Cat4
- >Cat6 (Optional)

Key Features

- >1000Mbps HNAT
- >2T2R 2.4G 802.11b/g/n (300 Mbps)
- >2T2R 5G 802.11ac (867Mbps)
- >VoIP FXS support SIP terminal and FAX
- >Network failover
- >IPv4 and IPv6

Management

- >Upgradeable firmware
- >Web management
- >IVR management
- >Local and remote syslog
- >Auto provisioning
- >Multi-user level access
- >SNMPv2
- >TR069
- >Telnet
- >FACS
- >SNTP time synchronization
- >Telnet

Protocols

- >SIP V2.0 (RFC 3261, RFC 3262, RFC 3263, RFC 3264)
- >SDP (RFC2327)
- >RTP/RTCP (RFC 1889/RFC 1890)
- > NAPTR for SIP URI lookup (RFC2915)
- >STUN (RFC2030)
- >ARP/RARP (RFC 826/903)
- >SNTP (RFC 2030)
- >DHCP/PPPoE/Static
- >HTTP/HTTPS Server for Web Management
- >TFTP/HTTP/HTTPS for Auto Provisioning
- >Voice message (RFC3842)
- >DHCP Option (RFC3361)
- >DNS/DNS SRV (RFC1706/RFC 2782)

Call Features

- >3-way conferencing
- >Call hold
- >Call forwarding
- >Call transfer

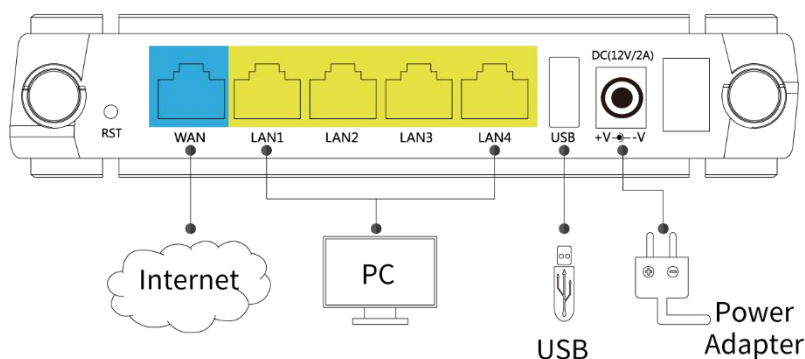
- >Call waiting
- >Caller ID and CWCID
- >Black list
- >Call log
- >Dial plan
- >DTMF mode: In-band, RFC2833, SIP INFO
- >Speed dial
- >Hotline

Wireless

- >802.11 a/b/g/n/ac
- >8 SSID
- >Static WEP (64/128bit)
- >Dynamic WEP (64/128bit)
- >AES (CCMP/TKIP)
- > station MAC
- >WEP
- >WPA-PAK/WPA-PSK (2.0)
- >WPA/WPA2
- >AP Isolation and MBSSID AP Isolation
- >WMM
- >WDS
- >WPS
- >Station list
- >MAC Filter (different from wired MAC Filter)

Applications

- >ALG: SIP, FTP, H323
- >NAT and bridge mode
- >DDNS
- >MAC clone
- >SIP proxy
- >NAT Traversal (STUN)
- >DHCP client and DHCP server
- >IP conflict detection
- >Port forward, DMZ, super DMZ
- >802.1Q VLAN/802.1p, DSCP
- >VPN (PPTP, L2TP, IPSec)
- >SNTP
- >IGMPv2
- >Firewall (SYN flooding, IP address spoofing, DoS attack)



About Flyingvoice

Flyingvoice is a leading manufacturer of VoIP phones, VoIP adapters and VoIP routers, which are widely used throughout the world and highly praised by international carriers, ITSP, ISP and company users.

Driven by ongoing innovation of VoWLAN, Flyingvoice is committed to making easier VoIP products by enabling the enterprise network and united communication. Our people are continuously improving our products and expanding product applications tailored to clients' requirements, which make you collaborate securely, effectively and efficiently – anytime & anywhere.

Copyright

Copyright © Flyingvoice Network Technology Co., Ltd. All rights reserved. No parts of this publication may be reproduced or transmitted in any form or by any means, electronic or mechanical, photocopying, recording, or otherwise, for any purpose, without the express written permission of Flyingvoice Network Technology Co., Ltd.

Technical Support

Visit www.flyingvoice.com for product documents and FAQ, or contact Flyingvoice by email at support@flyingvoice.com. We'll get you the help you need.



Flyingvoice Network Technology Co., Ltd.

Website: www.flyingvoice.com

Add: Rm 207-209, Block B52, Zhongchuang Industrial Park,
Nanshan District, Shenzhen, Guangdong, 518000 China

Copyright© Flyingvoice Network Technology Co., Ltd. All Rights Reserved