

## P11W

### Entry-Level Color Screen IP Phone

Flyingvoice P11W entry-level color screen IP phone, equipped with 2.4-inch 320 x 240px LCD color screen with backlight, providing users with a clear visual experience. The phone supports 2 SIP accounts, built-in 2.4GHz & 5GHz Wi-Fi module, and integrated 100M dual network ports to meet the different networking needs of office communications of enterprise. It also supports 6-party meeting, HD voice, and is easy to be installed and wall-mounted, meeting different application scenarios of desktop office and wall-mounted use. This easy-to-use, cost-effective IP phone can help you maximize your office efficiency and achieve quality voice communication.



### Main Features



#### Brand-new Look, Practical Details

P11W adapts a new UI design, with stylish appearance and easy-to-use interface, providing users with a more flexible and efficient collaboration experience in voice.



#### HD Voice, Better Calls

P11W supports Opus wide-band audio codec with advanced echo cancellation technology and intelligent noise cancellation technology to provide users with high-definition voice and achieve better voice call.



#### Dual-band Wi-Fi, Convenient Calls

P11W supports 2.4GHz & 5GHz dual-band Wi-Fi, which better adapts to wireless network access office. Meanwhile, 5G Wi-Fi has stronger anti-interference ability and faster speed, bringing users a better wireless experience.



#### Simple Installation, Easy Deployment

P11W with FRPS system and FACS platform for unified can be quickly and efficiently deployed in bulk, greatly reducing time and labor costs, is easy to manage, upgrade and maintain.

- 2.4" 320x240px Color LCD with backlight
- 2 x 10/100M Ethernet ports
- 2.4G & 5GHz Wi-Fi
- 6-party meeting
- 2 SIP accounts
- HD Voice
- Opus codec
- Support RJ9 Headset
- Wall-mounted

Phone Features	
<b>LCD Screen</b>	> 2.4" 320x240px backlight color screen LCD > 16 bit color depth
<b>Function Keys</b>	> 7 Function key: Voice messages, Headset, Call transfer, Mute, Redial, Hands-free, Recording > 4 Soft keys, 4 Navigate key, Volume +/- keys
<b>SIP Account</b>	> 2 SIP Accounts
<b>Wi-Fi</b>	> 2.4GHz & 5GHz
<b>Ethernet Ports</b>	> 2*10/100M
<b>Other Ports</b>	> 1 x RJ9 Handset port, 1 x RJ9 Headset port
Phone Function	
<b>Basic Function</b>	> Mute, DND, Auto answer, Redial. Speed dial, Hot line, Call hold, Call Forward, Call waiting, Call transfer, Voice mailbox, Text message, Anonymous call, Anonymous call rejection, Message waiting indicator (MWI)
<b>Direct IP Call</b>	> Supported
<b>Phone Book</b>	> 2000 records; Phone book search/import/export; XML/LDAP remote phone book; Black list
<b>Call History</b>	> 60 records; Call history: all/missed/dialed/received
<b>6-Party Meeting</b>	> Supported
Audio Features	
<b>HD Voice</b>	> HD Handset, HD Speaker
<b>Audio Codec</b>	> G.722, Opus, AMR-WB(Optional), G.711WB(Optional), G.711(A/u), iLBC, G.729A/B, G.723, G.726, AMR-NB(Optional)
<b>DTMF</b>	> In-band, RFC 2833, SIP info
Network	
<b>Network Security</b>	> SIP Related Features: - SIP v1 (RFC2543), v2 (RFC3261), NAT Traversal by STUN - SIP link mode: Proxy mode and peer-to-peer SIP link mode - Call server redundancy supported > Network Features: - Static IP and DHCP, IPv4 /IPv6, Dual stack IPv4/IPv6, ARP/RARP, DNS A/DNS SRV/DNS NAPTR - LLDP/CDP/DHCP VLAN; IEEE802.1X; OpenVPN; DSCP, 802.1p QoS > Time and Date synchronization: SNTP, PBX, DHCP > Transport Feature: UDP/TCP/TLS; RTP/RTCP/SRTP
Configuration & Maintenance	
<b>Auto-Provision</b>	> TR069 (TR104/TR106) > FTP/TFTP/HTTP/HTTPS for Auto Provisioning > Cloud device management: FACS > Cloud device management: FRPS > DHCP Option66
<b>Configuration</b>	> Supports web configuration > Factory reset, reboot > Packet capture, system log

## Others

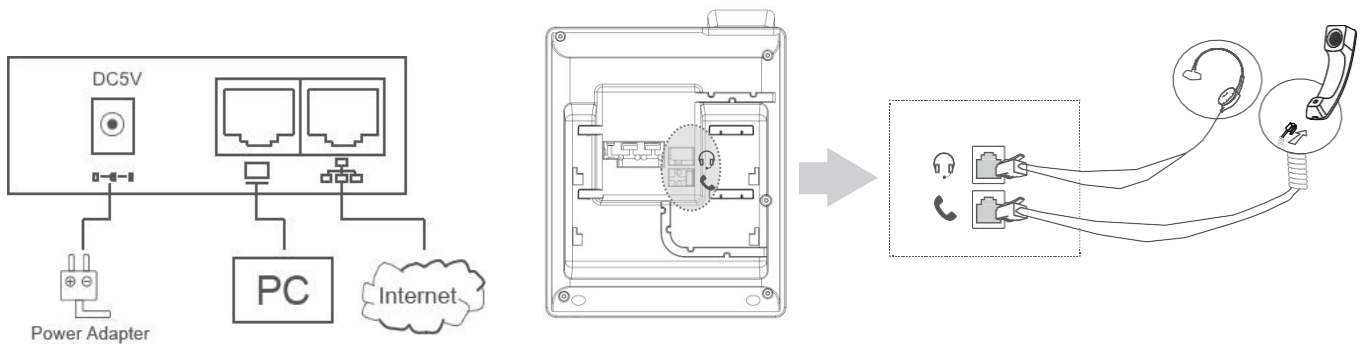
<b>Phone information</b>	<ul style="list-style-type: none"> <li>&gt; New Stand, Wall mountable</li> <li>&gt; AC/DC Adapter:               <ul style="list-style-type: none"> <li>- AC Input: 100~240V, 50~60Hz</li> <li>- DC Output: 5V / 1A</li> </ul> </li> <li>&gt; Power consumption: 0.87~1.18W</li> <li>&gt; Relative humidity: 10%~90% (No Condensing)</li> <li>&gt; Storage temperature: -25~ 65°C</li> <li>&gt; Operation temperature: 0~45°C</li> <li>&gt; Dimension (W x H x D): 200mm×165mm×47mm</li> </ul>
--------------------------	--

## Packaging

<b>Specific Information</b>	<ul style="list-style-type: none"> <li>&gt; Packing List:               <ul style="list-style-type: none"> <li>- Flyingvoice P10W IP Phone, Power adapter</li> <li>- Handset with handset cord, Ethernet cable, Stand</li> <li>- Quick Start Guide</li> </ul> </li> <li>&gt; Box Size:               <ul style="list-style-type: none"> <li>- Qty/CTN: 10 PCS</li> <li>- N.W/CTN: 7.5Kg</li> <li>- G.W/CTN: 9.47kg</li> <li>- Giftbox size: 288mm×217mm×60mm</li> <li>- Carton size: 448mm×320mm×302mm</li> </ul> </li> </ul>
-----------------------------	---

## Certification & Compatibility

<b>Certification</b>	
<b>Compatibility</b>	



## About Flyingvoice

Flyingvoice is a leading manufacturer of VoIP phones, VoIP adapters and VoIP routers, which are widely used throughout the world and highly praised by international carriers, ITSP, ISP and company users.

Driven by ongoing innovation of VoWLAN, Flyingvoice is committed to making easier VoIP products by enabling the enterprise network and united communication. Our people are continuously improving our products and expanding product applications tailored to clients' requirements, which make you collaborate securely, effectively and efficiently – anytime & anywhere.

## Copyright

Copyright © Flyingvoice Network Technology Co.,Ltd. All rights reserved.

No parts of this publication may be reproduced or transmitted in any form or by any means, electronic or mechanical, photocopying, recording, or otherwise, for any purpose, without the express written permission of Flyingvoice

Network Technology Co.,Ltd.

## Technical Support

Please visit [www.flyingvoice.com](http://www.flyingvoice.com) for product related manuals, FAQs and solutions. Or contact us by email ([support@flyingvoice.com](mailto:support@flyingvoice.com)) and we will do our best to provide you with technical and other support.



Flyingvoice Network Technology Co.,Ltd.

Web: [www.flyingvoice.com](http://www.flyingvoice.com)

Add: 1801-1802, Building1, Chongwen Park, Nanshan Zhiyuan, Nanshan District, Shenzhen, China

Copyright © Flyingvoice Network Technology Co.,Ltd. All Rights Reserved