

Smart Video Conferencing Endpoint for Small and Huddle Room

Based on Android 7.1 operating system, the Yealink VC200 is an entry-level smart video conferencing endpoint designed for small and huddle room. Its Ultra HD 4K camera and 103° super-wide angle lens deliver outstanding video quality and additional boost face-to-face collaboration. With 6 beamforming microphone arrays for direct voice pickup and Yealink Noise Proof Technology, VC200 brings excellent sound in small rooms and ensures that everyone can be heard as well as seen. For its compact six-in-one design, VC200 integrates a built-in camera, codec, microphone, Bluetooth, Wi-Fi and bracket, which provides you a turnkey solution that can be easily and consistently deployed with only two cables. The Yealink VC200 is an ideal communications choice to help ensure your teams can concentrate fully on effective collaboration.



Android 7.1
OS



Ultra HD
4K Camera



4x e-PTZ
Camera



Wide-angle
Lens



Beamforming
Microphones



Wireless
Content Sharing



Wi-Fi



Bluetooth



H.265/HEVC



Key Features and Benefits

Ultra HD 4K Camera and Super-Wide Angle Lens

The Ultra HD 4K camera supports 4x digital zoom and e-PTZ and is with super-wide 103° horizontal field of view, covering every seat at the table wholly without adjusting the camera. Featuring H.265/HEVC video codes, just with the minimum 512kbps, VC200 can realize 1080P HD video calls. Moreover, through Yealink anti-packet loss technology, VC200 can resist up to 30% video and audio packet loss which guarantees smooth video communication.

Clearer Audio with Six Beamforming Microphone Arrays

The most advanced Beamforming technology, six built-in microphone arrays, directed voice pickup, intelligent voice identification and comparison—are definitely optimized for small and huddle conference rooms. Coupled with Yealink Smart Noise Proof technology, VC200 can automatically filter out unrelated noise, making video conferencing more concentrated.

Compact Design for Fast Deployment

Six-in-one design, integrating codec, camera, microphone, Bluetooth, Wi-Fi and bracket, takes up less space and minimizing cable clutter, getting ready for a video conference with only two cables (network cable and HDMI cable). Meanwhile, VC200 fits easily and seamlessly on the TV with thickness from 6mm to 50mm so that you can mount it on the top of display directly. Based on Android OS and TV-styled interactive user interface, VC200 offers all features with one-touch operation but without any learning cost.

Wireless Clutter-Free Meeting Room

Built-in Bluetooth and dual-band Wi-Fi module provide you more connection options, that neither complex installation nor messy cables are required, VC200 greatly saves your effort of deployment. In addition, VC200 not only support one-click wireless content sharing via WPP20, but also you can extend the range of voice pickup via optional wireless microphones.

- All-in-one design, easy to mount on the TV
- Android 7.1 OS
- 4K resolution ratio, 4x e-PTZ camera, and 103° wide-angle lens
- Built-in 6 beamforming microphone arrays with directed voice pickup
- Built-in Bluetooth
- Built-in dual-band Wi-Fi (2.4GHz/5GHz)
- Supports wireless content sharing
- H.265/HEVC video codec, resists up to 30% packet loss

Package includes:

- VC200 Codec
(integrate codec/camera/microphone/bracket)
- VCR11 Remote Control
- PoE Adapter
- WPP20 Wireless Presentation Pod (optional)
- VCH50 Video Conferencing Hub (optional)

Ultra HD 4K Camera

- Ultra HD 4K camera
- 1920 x 1080 video resolution
- 30 frame rate
- 4x e-PTZ camera
- Horizontal field of view: 103°
- Beauty shot

Microphone

- Built-in six beamforming microphone arrays
- 16ft / 5 meters voice pickup distance
- Wireless microphone (optional)
- Conference phone CP960 (optional)

Video Standard and Network Suitability

- Video codecs:
H.265/HEVC, H.264 High Profile, H.264, H.263
- Forward Error Correction (FEC)
- Anti 30% video packet loss
- Bandwidth dynamic adaptive adjustment
- Shared content and audio preference strategy
- Bandwidth/protocol/audio&video call auto adaptive

Audio Features

- Audio codecs:
 - Opus, 8~48kHz sampling rate
 - 14kHz bandwidth with G.722.1C
 - 7kHz bandwidth with G.722.1
 - 3.4kHz bandwidth with G.711 (PCMA/PCMU)
- Audio technology:
 - Acoustic echo cancellation
 - Automatic gain control
 - Yealink Noise Proof Technology
 - CNG, PLC, AJB, De-Rerb

Operating System

- Based on Android 7.1

Call Features

- 1080P30 people + 1080P30 content sharing video quality
- Video Layout: Picture-in-picture (PIP)
- Video/audio recording and playback
- Screenshots in USB flash drive or local storage
- Group dial
- YMS meeting control:
 - invite/remove
 - mute/unmute participates
 - lock
- DND (do not disturb), call statistics
- Auto answer, mute, call waiting
- Virtual keyboard
- Local directory: 500 entries
- Call history: all/missed/received/dialed
- LDAP phonebook
- Multi-language support
- Additional five-way audio call

Standard Communication Protocol

- H.323/SIP
- Dual stream protocol: H.239 (H.323)/BFCP (SIP)
- FECC: H.224/H.281, Sony VISCA and PELCO D/P
- H.323 protocol suite: H.245, H.225, H.235, H.241
- Gatekeeper account and SIP account

Network and Security Features

- Built-in dual-band Wi-Fi (2.4GHz/5GHz):
 - connect to a Wi-Fi network
 - serve as a Wi-Fi hotspot
- Built-in Bluetooth
- IPv4 and IPv6, DHCP/static IP
- HTTP/HTTPS web server
- RS232/HTTP API for control system integration
- SRTP/TLS, AES 128-bit encryption
- QoS: 802.1p/q, Diff-serv
- VLAN, IEEE802.1X, LLDP-MED
- Anti-attack
- Network diagnosis: Ping, trace route
- Time and date synchronization using SNTP
- Built-in certificate

NAT and Firewall Traversal

- ICE/TURN/STUN
- H.460
- NAT (manual/auto mode)
- Yealink intelligent firewall traversal
- Open VPN

Configuration Management

- Configuration via browser/display/auto-provisioning
- Virtual remote control
- Firmware upgrading, factory resetting
- Export or import configuration
- System log exporting

VC200 Codec Connections

- 1 x HDMI output (CEC supported)
- 1 x Yealink extension port (RJ-45) connect to VCH50/CP960 Phone
- 1 x 10/100M Ethernet port:
- Power over Ethernet (IEEE 802.3af)
- 2 x USB 2.0
- 1 x Line-out (3.5mm)
- 1 x security lock slot
- 1 x reset slot

Other Physical Features

- Capacity: 16GB (Available: 8GB)
- Yealink PoE Adapter: AC 100~240V input
- Power consumption (PSU):
Idle<6.5W; Normal: 7W; MAX: 8W
- Dimension (W.D.H):
 - VC200 codec: 300 mm x 70 mm x 86.6 mm
 - VCR11: 190mm x 55mm x 24mm
- Operating humidity: 10~95%
- Operating temperature: 0~40°C
- Storage temperature: -30~70°C

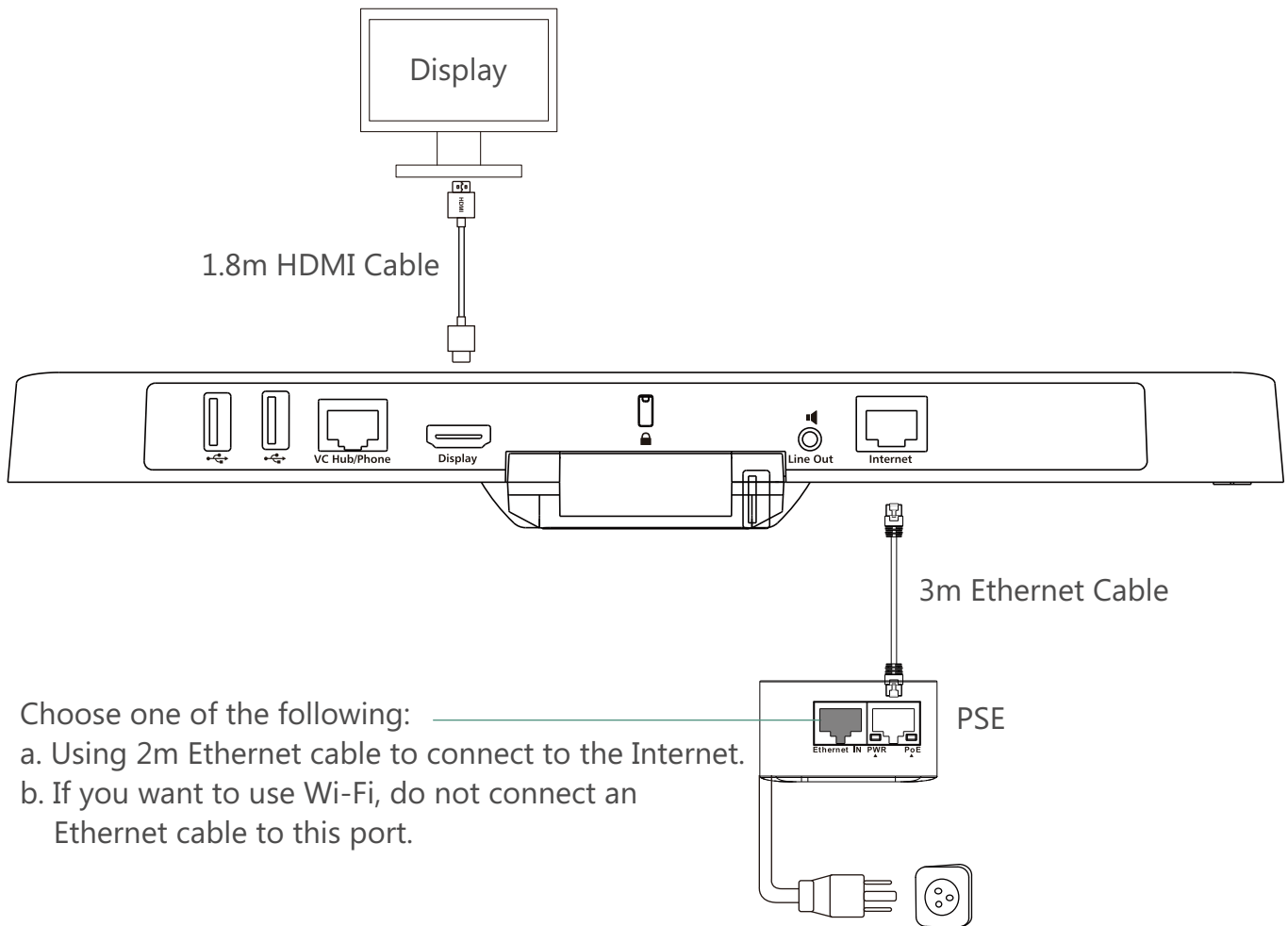
Package Features

- Qty/CTN: 4 PCS
- N.W/CTN: kg
- G.W/CTN: kg
- Giftbox size: 355mm*135mm*140mm
- Carton Meas: 375mm*335mm*355mm

Compliance



Endpoint Connections



- Choose one of the following:
- a. Using 2m Ethernet cable to connect to the Internet.
 - b. If you want to use Wi-Fi, do not connect an Ethernet cable to this port.

💡 For more information on WPP20 wireless presentation pod, refer to Yealink WPP20 Wireless Presentation Pod Quick Start Guide.



About Yealink

Yealink is a global leading provider of enterprise communication and collaboration solutions, offering video conferencing service to worldwide enterprises. Focusing on research and development, Yealink also insists on innovation and creation. With the outstanding technical patents of cloud computing, audio, video and image processing technology, Yealink has built up a panoramic collaboration solution of audio and video conferencing by merging its cloud services with a series of endpoints products. As one of the best providers in more than 140 countries and regions including the US, the UK and Australia, Yealink ranks No.1 in the global market share of SIP phone shipments.

Copyright

Copyright © 2017 YEALINK(XIAMEN) NETWORK TECHNOLOGY CO., LTD.

Copyright © 2017 Yealink(Xiamen) Network Technology CO., LTD. All rights reserved. No parts of this publication may be reproduced or transmitted in any form or by any means, electronic or mechanical, photocopying, recording, or otherwise, for any purpose, without the express written permission of Yealink(Xiamen) Network Technology CO., LTD.