

## Yealink Video Conferencing Camera


VCC22, the Yealink next-gen video conferencing camera, is designed for Yealink VC800 Video Conferencing System with striking 1080p60 quality and developed optics. It has an HD CMOS sensor plus 12X optical zoom which power the VCC22 HD PTZ and deliver high-definition capture of up to 1080p60, presenting professional video images and excellent multi-environment adaptability.

Yealink VC800 supports up to 8 VCC22 cameras, developing a typical Yealink 1+8 multi-camera solution. This dead-zone-free solution is suitable for every large meeting room and auditorium, and it can send one multi-image video to the far side by piecing different video images from different cameras together. Furthermore, it supports various video layouts, including onePlusN, N\*N, full screen, you can control the cameras or adjust camera layout by CTP20 collaboration touch panel, CP960 conference phone, remote control or control device, minus any pricey video matrix.

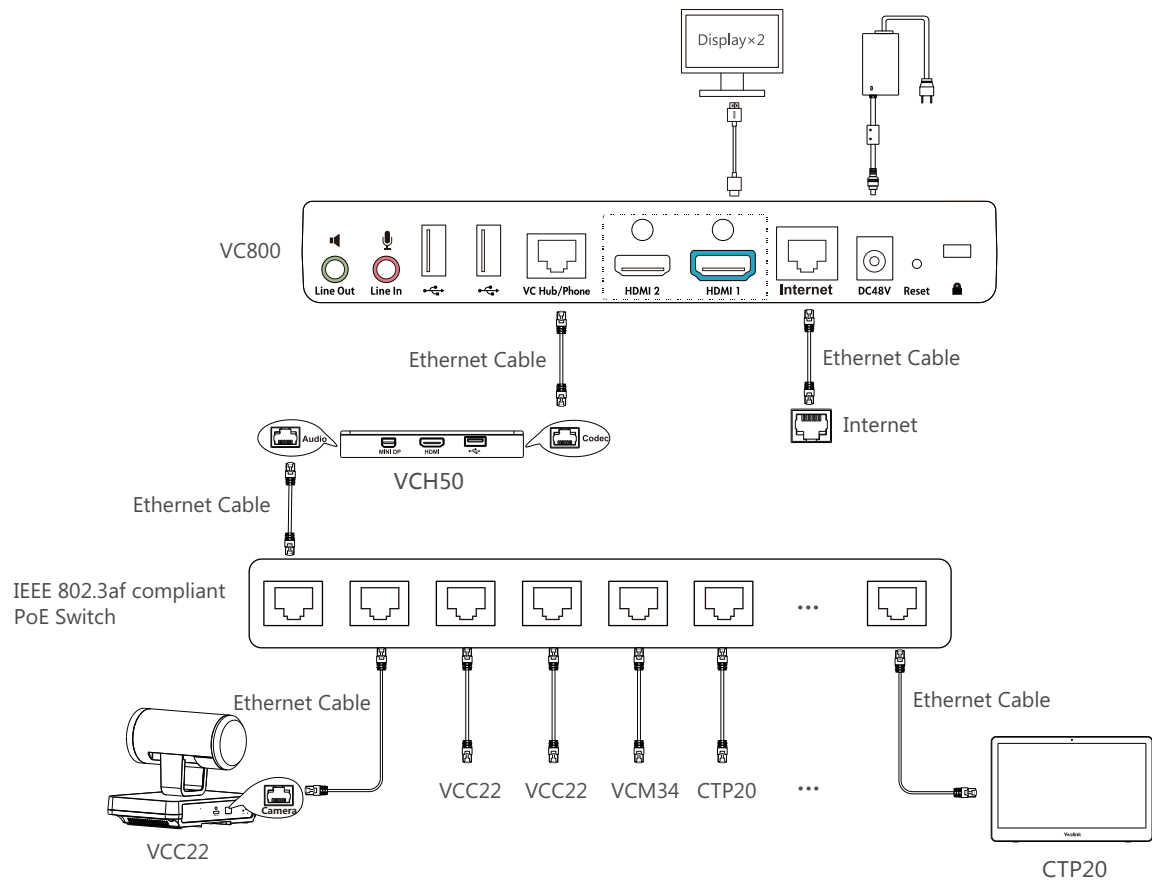
VCC22 supports PoE, which brings simple and easy deployment by connecting to PoE switch via standard RJ45 network cable (up to 100-meter long). In this way, power supply, video data transmission and signal control unifies as one, sharply reducing the complex installation procedures as well as the costly expenses.



- 12x optical, Pan/Tilt/Zoom functionality
- Full HD 1080p60 video quality
- Power over Ethernet (PoE)
- Power supply/video/control three-in-one
- 1+8 multi-camera solution with VC800
- Multi-camera image splice
- Camera layout adjustment
- Up to 99 presets

	<p>VCC22</p> 
Room Size	Large
Video System Compatibility	Yealink VC800
Camera Type	1/3" HD CMOS
Maximum Resolution	1920×1080
Video Output Pixels	1080P
Maximum FPS	60 fps
Zoom	12x optical
Horizontal Field of View	70°
Vertical Field of View	42°
Min. Illumination	0.5 lux
Signal Noise Ratio (SNR)	>55dB
Focus	Auto/Manual
Exposure	Auto/Manual
White Balance (WB)	ATW/Auto/Manual
Beauty Shot	√
Video Output Interface	1 × HDMI
Network Interface	1 × RJ45
Power Supply	PoE
Pan Range	0~±100°
Tilt Range	0~±30°
Dimensions (W*H*D)	282mm×152mm×159mm
Operating Humidity	10%~95%
Operating Temperature	0°C~40°C

## Yealink multi-camera solution connection diagram



- 💡 VC800 video conferencing system can connect up to 8 VCC22 video conferencing cameras.
- 💡 PoE switch and Ethernet cables should be purchased separately. In order to ensure the best network signal, please purchase UL certified CAT5E Ethernet cable. The maximum length of each Ethernet cable is 100 meters.
- 💡 The cable should be replaced at once if its skin is broken.



### **About Yealink**

Yealink is a global leading provider of enterprise communication and collaboration solutions, offering video conferencing service to worldwide enterprises. Focusing on research and development, Yealink also insists on innovation and creation. With the outstanding technical patents of cloud computing, audio, video and image processing technology, Yealink has built up a panoramic collaboration solution of audio and video conferencing by merging its cloud services with a series of endpoints products. As one of the best providers in more than 140 countries and regions including the US, the UK and Australia, Yealink ranks No.1 in the global market share of SIP phone shipments.

### **Copyright**

Copyright © 2019 YEALINK(XIAMEN) NETWORK TECHNOLOGY CO., LTD.

Copyright © 2019 Yealink(Xiamen) Network Technology CO., LTD. All rights reserved. No parts of this publication may be reproduced or transmitted in any form or by any means, electronic or mechanical, photocopying, recording, or otherwise, for any purpose, without the express written permission of Yealink(Xiamen) Network Technology CO., LTD.