

### New Wi-Fi Life for Your IP Phone

Wi-Fi USB Dongle WF40 is a low-power, small form factor device that can be implemented within offices for seamlessly connecting their IP phones to available wireless networks. This dynamic plug-and-play style USB device is an ideal office networking solution for companies—particularly, smaller organizations—seeking affordable, convenient and reliable high-speed wireless connectivity.

Supported by a powerful transmission rate of 150 Mbps, the solution is able to quickly and reliably establish Wi-Fi connectivity so that users can optimally communicate, collaborate, access pertinent documents and resources and more. Wi-Fi USB Dongle WF40 is safe, reliable and easy deployment, which guarantees a flexible and optimal user experience.

Even more, Wi-Fi USB Dongle WF40 is compliant with the IEEE802.11n and IEEE802.11b/g standards, maximizing reliability and throughput.



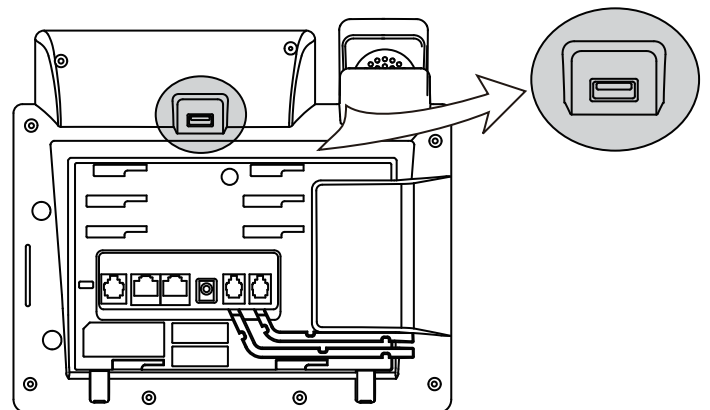
#### Key Features and Benefits

- > Supports Yealink SIP-T27G/T29G/T46G/T48G/T41S/T42S/T46S/T48S/T52S/T54S
  - For T48G: upgrade to the version of 35.80.0.95 or higher
  - For T29G/T46G/T46S/T48S: upgrade to the version 81 or higher
  - For T27G/T41S/T42S: upgrade to the version of x.81.0.110 or higher
- > Reliable Connection
- > Ease-of-use
- > Plug and Play
- > High Transmission Rate
- > Lower Power Consumption

#### Specifications

- > Network Standard: IEEE802.11b/g/n
- > Transmission Rate: 150 Mbps
- > Frequency Range: 2.4GHz
- > Security:
  - 64/128/152-bit WEP Encryption, WPA-PSK, WPA2-PSK
- > Interface: USB2.0
- > L\*W\*H: 26.9mm\*18mm\*8mm
- > Working Temperature: 0°C ~ +50°C ( 32°F ~ 122°F)
- > Storage Temperature: -40°C ~+85°C (-40°F ~ 185°F)

#### Certifications



#### Package Features

- > Qty/CTN: 40 PCS
- > N.W/CTN: 1.70 kg
- > G.W/CTN: 2.20 kg
- > Carton Meas: 305mm\*260mm\*272mm
- > Giftbox Size: 119mm\*113mm\*26mm



## **About Yealink**

Yealink (Stock Code: 300628) is a global leading unified communication (UC) terminal solution provider that primarily offers video conferencing systems and voice communication solutions. Founded in 2001, Yealink leverages its independent research and development and innovation to pursue its core mission: "Easy collaboration, high productivity." The company's high-quality UC terminal solutions enhance the work efficiency and competitive advantages of its customers in over 100 countries. Yealink is the world's second-largest SIP phone provider and is number one in the China market.

## **Copyright**

Copyright © 2017 YEALINK(XIAMEN) NETWORK TECHNOLOGY CO., LTD.

Copyright © 2017 Yealink(Xiamen) Network Technology CO., LTD. All rights reserved. No parts of this publication may be reproduced or transmitted in any form or by any means, electronic or mechanical, photocopying, recording, or otherwise, for any purpose, without the express written permission of Yealink(Xiamen) Network Technology CO., LTD.